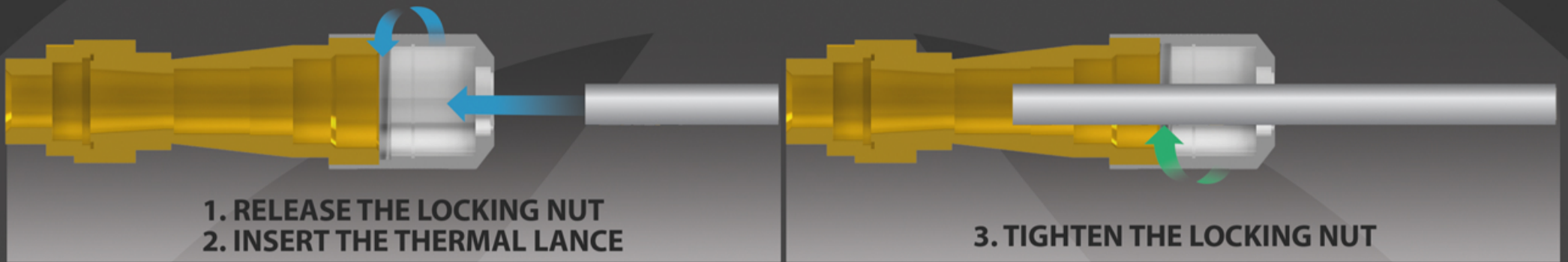




INSTRUCTIONS FOR USE

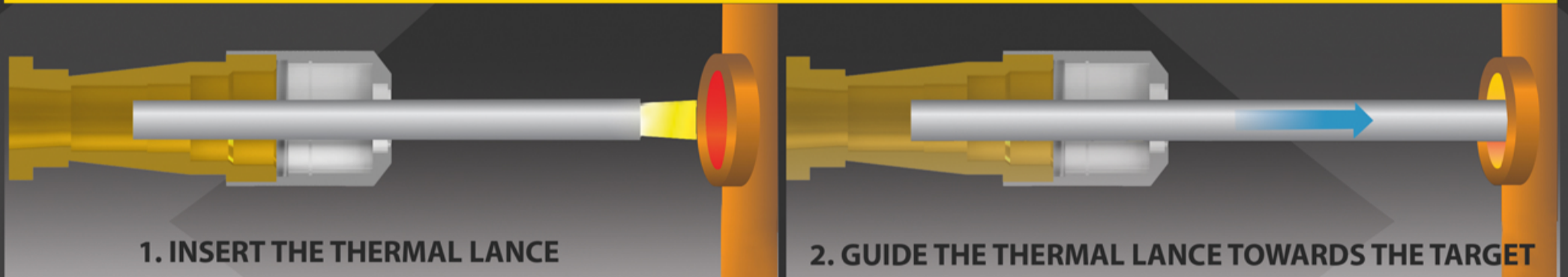
1 CONNECTION OF THE LANCE TO THE LANCE HOLDER



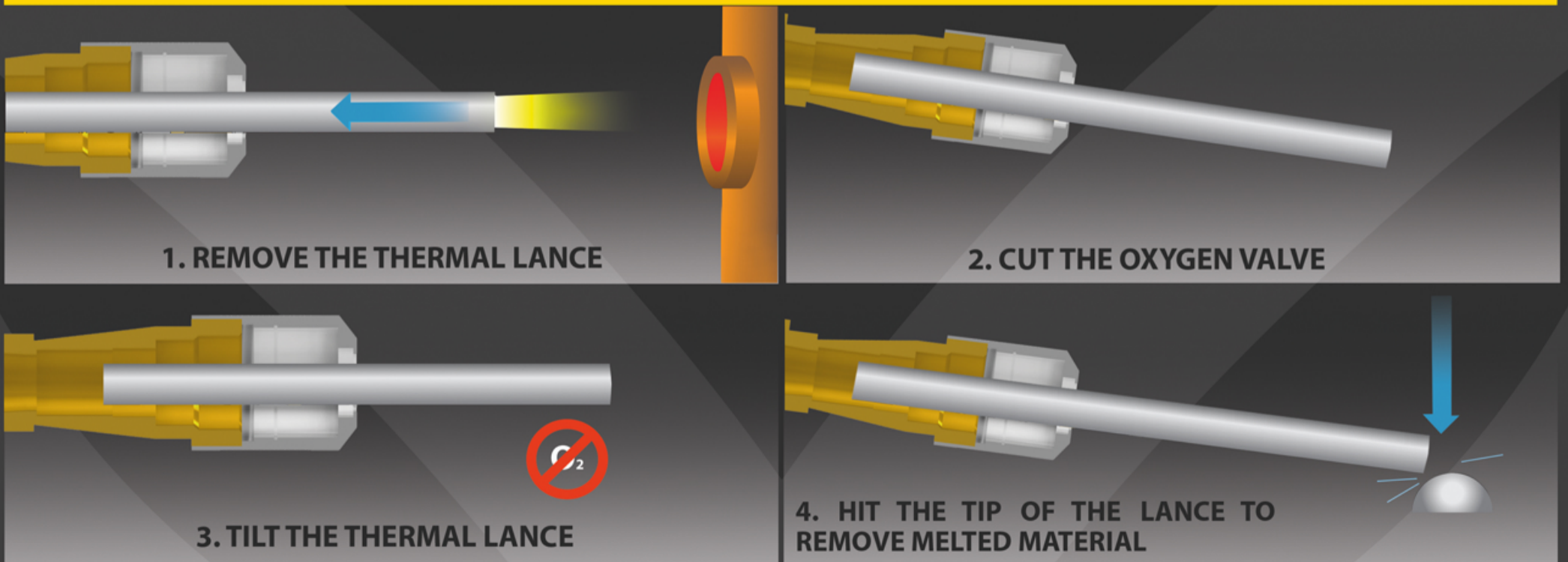
2 IGNITION OF THE THERMAL LANCE



3 OPENING OF PASSAGES / TAPHOLE



4 THERMAL LANCE SHUTDOWN



5 COUPLING WITH FCT CONNECTOR

